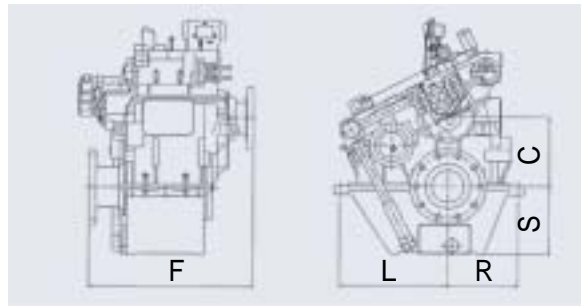


Hitachi Nico Transmission Co., Ltd.

MGN-V Series (Vertical Offset Type)

Dimensional Data



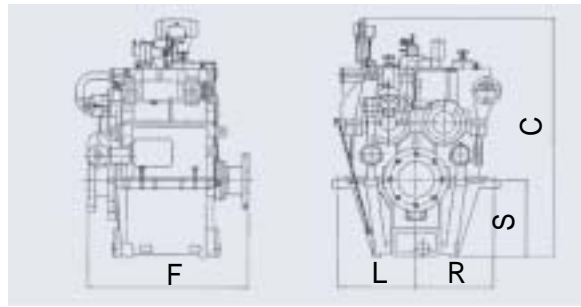
Model	F:	L:mtg.	R:mtg.	C:	S:	Mass (approx.dry) kg
	length mm	pad mm	pad mm	offset mm	sump mm	
MGN 923V	875	585	405	360	400	1650
MGN 924V	900	550	550	462	500	2000
MGN 1424V	1050	610	460	395	460	2550
MGN 1426V	1165	610	610	530	530	3200
MGN 1427V	1165	690	690	610	620	3600
MGN 1523V	1000	585	485	445	500	2400
MGN 1524V	1060	660	660	570	610	3400
MGN 1824BV	1100	730	660	610	580	3500
MGN 2024V	1230	650	520	470	500	3200
MGN 2025V	1250	670	620	560	560	3500
MGN 2026V	1250	700	700	630	650	3800
MGN 2843AV	1220	745	595	550	560	3900
MGN 2844AV	1220	720	645	610	560	4750
MGN 2845AV	1220	795	745	690	650	5700
MGN 3243V	1220	795	745	690	650	5800
MGN 3644V	1270	800	800	770	800	6300
MGN 5023AV	1350	800	750	710	700	6500
MGN 5024V	1350	900	900	865	850	8000
MGN 6324V	1550	990	990	980	950	11200
MGN 8044V	1880	940	940	920	850	12000

- Comments**
- Dimensions may vary with housing adapter or output flange size.
 - Dry mass is approximate and does not include companion flange.
 - Specifications subject to change.

Hitachi Nico Transmission Co., Ltd.

MGN-Z Series (Coaxial Type)

Dimensional Data



Model	F: length	L:mtg. pad	R:mtg. pad	C: offset	S: sump	Mass (approx.dry)
	mm	mm	mm	mm	mm	kg
MGN 1623Z	1150	560	560	1730	560	3500
MGN 1823Z	1265	605	605	1650	500	3820
MGN 1824Z	1265	605	605	1730	500	4100
MGN 2026Z	1400	700	700	2100	650	5300
MGN 2843Z	1345	570	570	1810	560	4650
MGN 2844Z	1345	620	620	1930	560	5500
MGN 2845Z	1345	725	725	2215	710	6700
MGN 3644Z	1345	725	725	2215	710	6800
MGN 5023Z	1680	700	700	1950	630	7800
MGN 5024Z	1750	750	750	2020	650	8500
MGN 6324Z	1940	810	810	2190	700	13000
MGN 8044Z	2190	840	840	2250	750	14000

- Comments**
- Dimensions may vary with housing adapter or output flange size.
 - Dry mass is approximate and does not include companion flange.
 - Specifications subject to change.